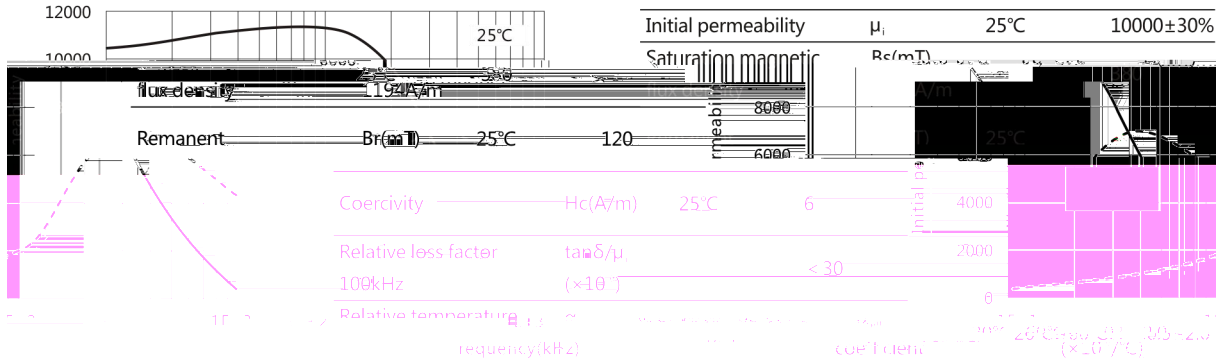
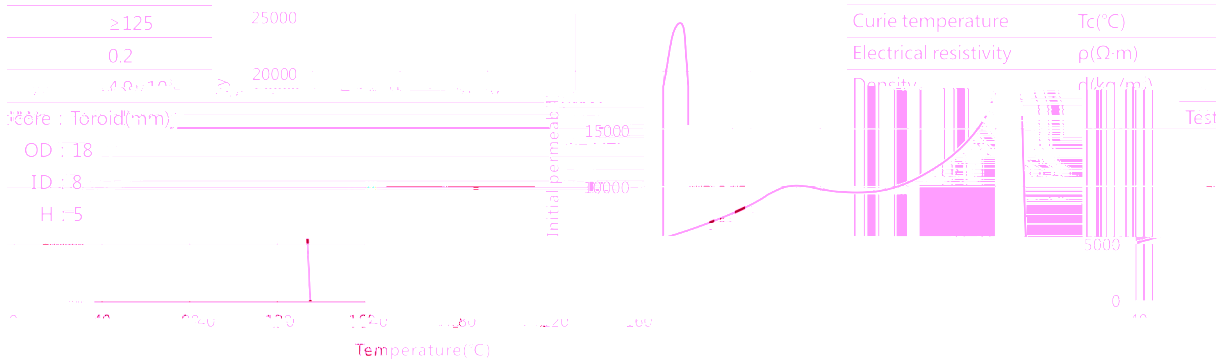


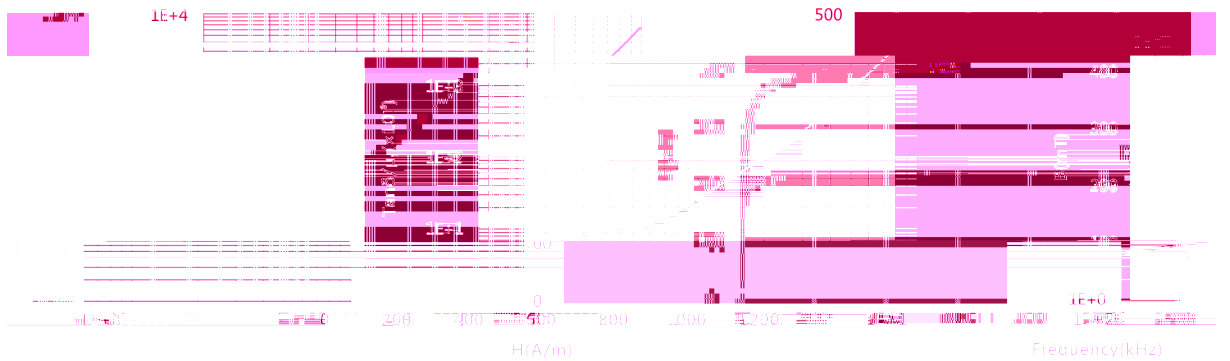
μ' (μ'')-Frequency



μ -Temperature

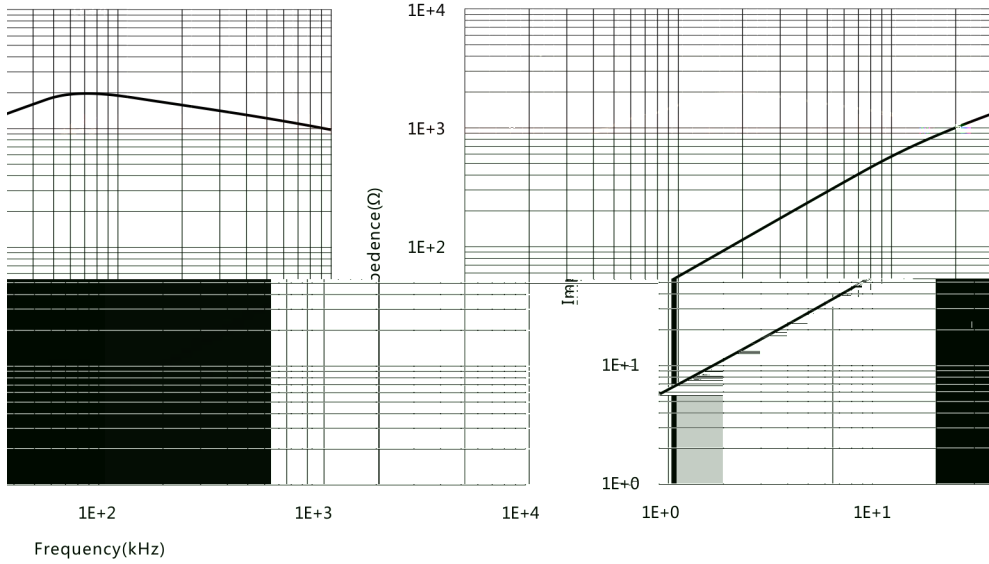


$\tan\delta/\mu$ -Frequency



Z-Frequency

N=10TS ϕ 0.35mm T=25°C



Bs-Temperature

H=1194A/m

